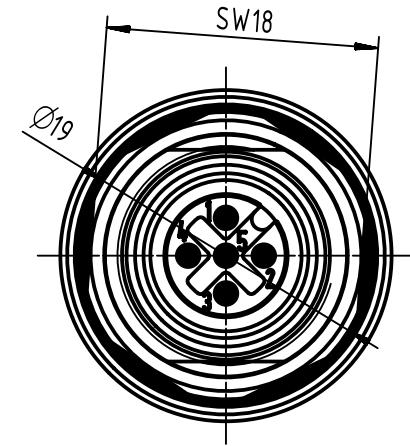
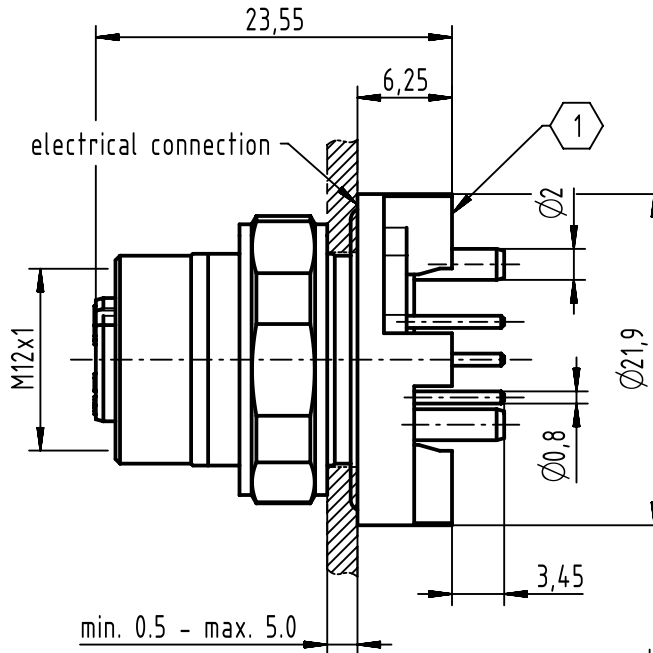
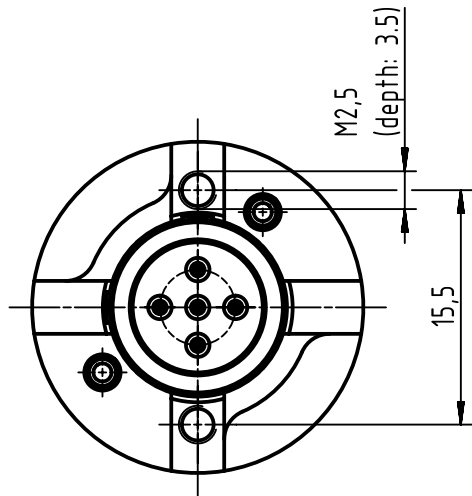


A

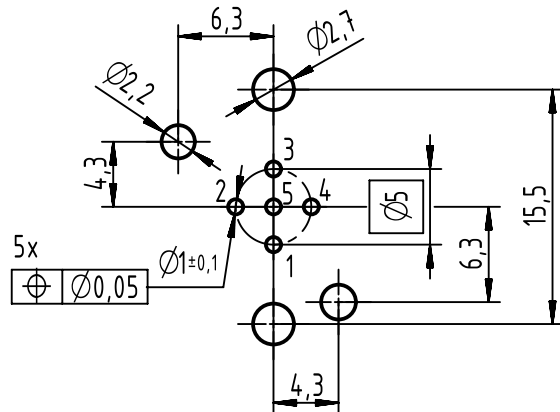
B

C

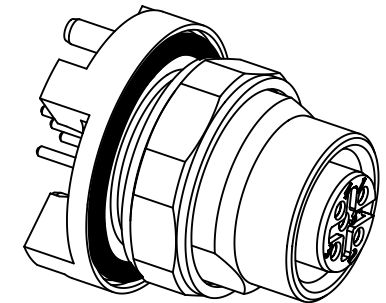
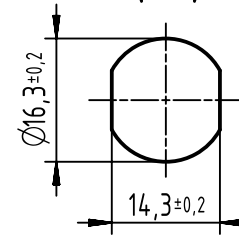
D



PCB layout



panel cut out (1:1)



1 top surface PCB

recommended PCB-thickness: 1.6mm

	All Dimensions in mm Original Size DIN A4		Scale 2:1	Free size tol.		Ref.	
	All rights reserved Department EC PD - DE		Created by DYCKC	Inspected by WELLMANN	Standardisation HOFFMANN	Sub.	
HARTING Electronics GmbH D-32339 Espelkamp		Title HARTING M12 PFT A-cod 5-pole female straight IP67				Date 2017-02-27	State Final Release
		Type TB	Number 21033216520		Doc-Key / ECM-Nr. 100196083/UGD/002/E 500000116033	Rev. E	Page 1/1